

Dam repair – Mostiste (CZ)

Sealing of clay core
Jet-grouting, Grouting

Reference sheet

CLIENT:

Povodí Moravy, s.p.

REALIZATION PERIOD:

2005

PRICE:

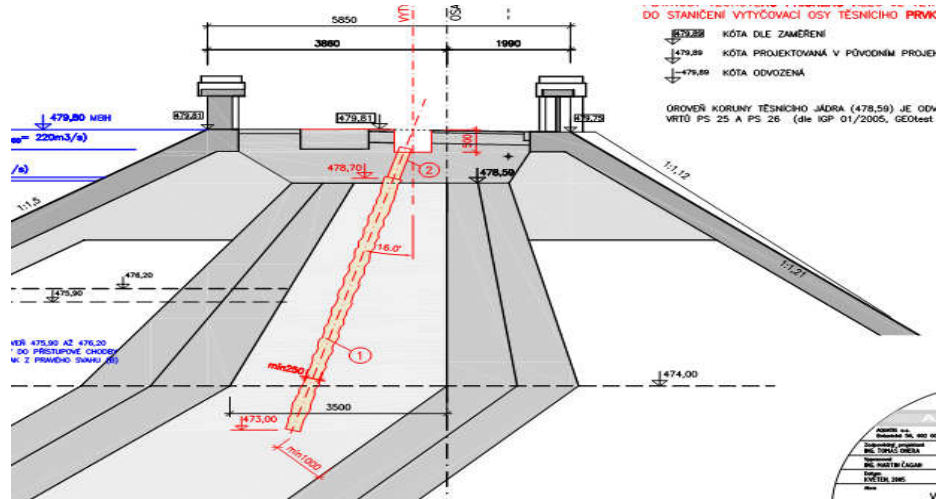
34,4 mil. CZK

VOLUMES:

Jet-grouting 3 100 m
(diam. 60 cm, 500 columns)
Drilling for grouting 975 m
Grouting 2 000 m²

DESCRIPTION:

Resealing of cracked clay core in water dam structure (length 292m - height 36.60m) – On the top : 37 columns of jet grouting (diam 600mm) of 6m high + 462 columns (diam 300/600mm) of 6.25m ie. in total 3.100m of drilling which is 1820m² of treated sealing curtain / In the gallery : 150 boreholes of 5 and 8m long being 975m of drilling. Rock grouting from gallery – B/C grout – total 2000m²



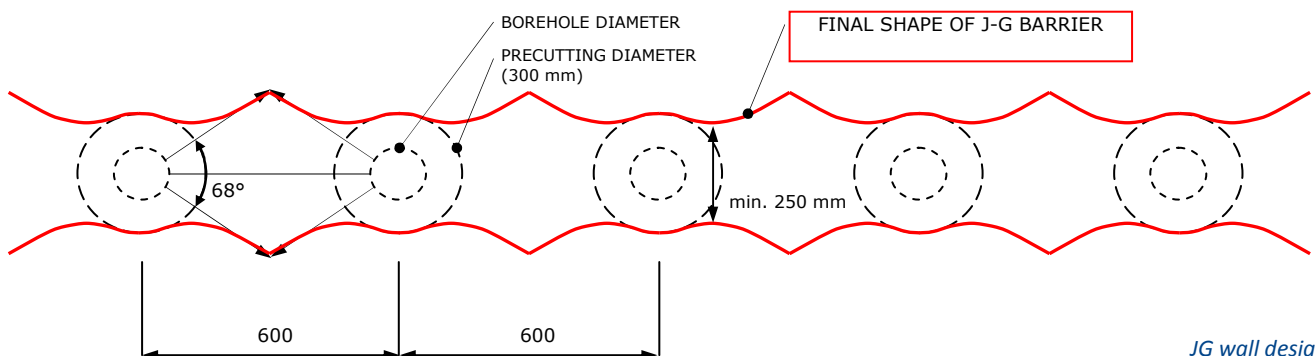
Inclined JG curtain



Drilling in gallery



JG works execution



JG wall design